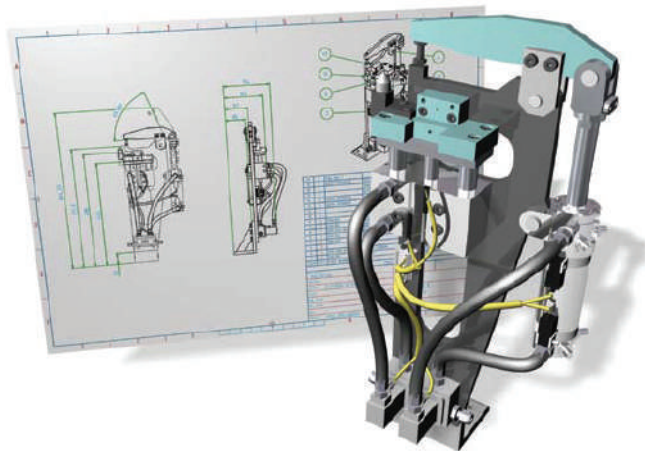





## Computer-aided Design and Drafting

Comprehensive Computer-aided Design and Drafting solutions



### Access Engineering LLC

500 Marquette Avenue, Suite 1200  
Albuquerque, New Mexico, 87102

-  (505) 503-4828
-  [www.accessengineeringllc.com](http://www.accessengineeringllc.com)
-  [info@accessengineeringllc.com](mailto:info@accessengineeringllc.com)



**Best Price**



**Quotes within 24hrs**



**Precision parts in 1 week**



**Mechanical Design and Drafting Support**

## CNC Machining

Custom precision machining solutions for your metal parts



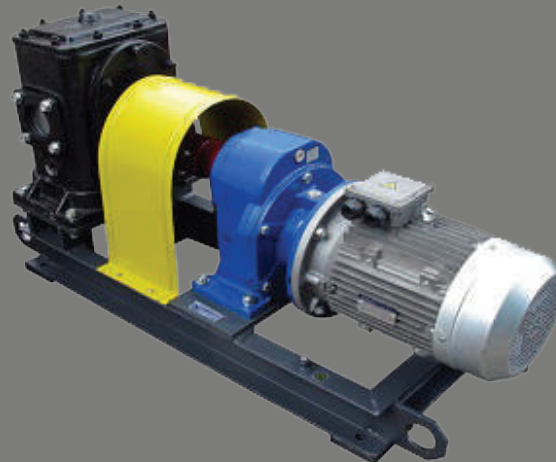
## Sheet Metal Fabrication

Bending, Stamping, Deep Drawing, Rolling, Punching, Press brake forming, Water jet & Laser Cutting



## Assembly & Installation

Let us handle your components as a package solution. Save money on labor and logistics costs



## Tube Bending & Welding

We can bend and weld most structural shapes including angles, channels, beams, square tubes, rectangular tubes and round tubes



## 3D Printing & Rapid Prototyping

Fused deposition modeling (FDM) Stereolithography (SLA) and Selective Laser Sintering (SLS)

